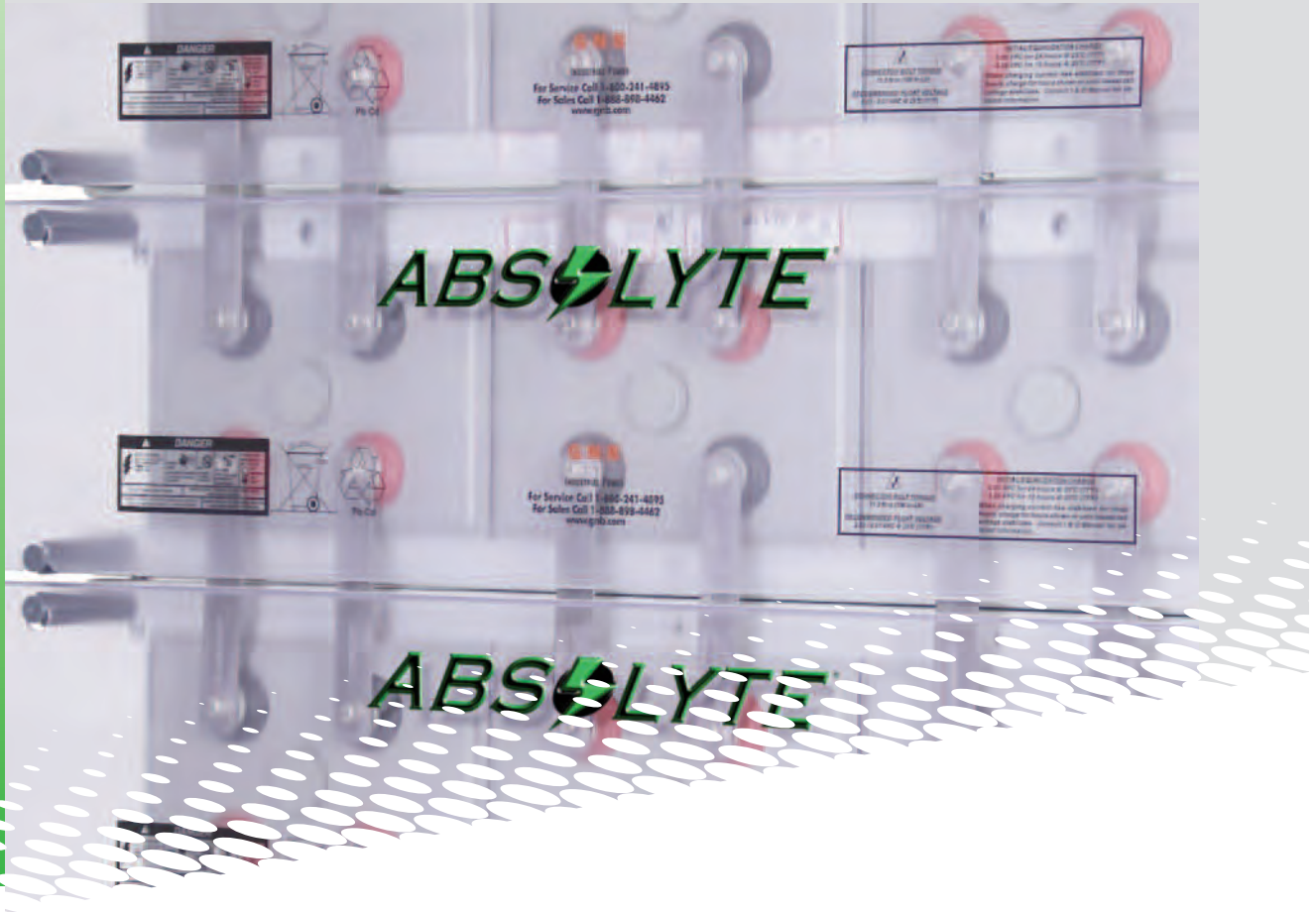


ABSOLYTE[®] GP



Industrial Batteries

Absolyte GP- Superior Performance

- Absolyte is one of the world's best selling large valve regulated lead acid (VRLA) battery brands.
- Leadership bolstered by proven field experience since 1983.
- More than six million Absolyte cells shipped.

Qualifications

- Absolyte GP is qualified to stack horizontally up to eight high for use in 1997 UBC/2001 CBC Seismic Zone IV (at or below grade).
- UL Recognized, ISO 9001:2000, Designed to meet Telcordia SR-4228
- NEBS Level 3 Certified in certain configurations.

Post Seal / Cover Seal

- Post seal design incorporates a non-corrosive polypropylene-to-polypropylene bond between the terminal post sleeve and the cell cover.
- Leaks 1000 times smaller than the eye can see are discovered by the super-sensitive helium leak detection system, insuring the quality of the seals.
- One of the most sophisticated and reliable post seals in the industry.

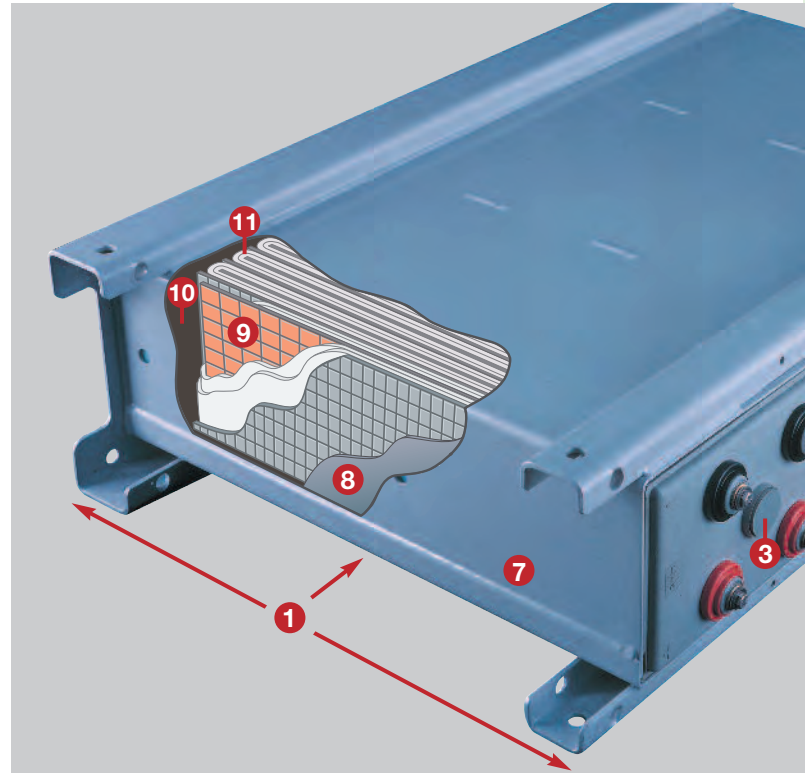
Total Technology Solution

- Environmentally friendly positive grid alloy provides reduced hazardous material content* and allows global recycling.
- Patented Lead-Calcium-Tin-Silver positive grid alloy provides long life in both float and cycling applications as well as outstanding recovery from deep discharges.
- Modular steel trays are designed for easy installation and balanced thermal management.
- Absorbed glass mat (AGM) separators provide efficient operation resulting in the highest oxygen recombination efficiency (>99%).
- Low resistance separator allows for improved high rate discharge performance.
- Flame retardant transparent module cover.
- Post Access Optimized for ease of maintenance and battery health assessment.

Application Ready

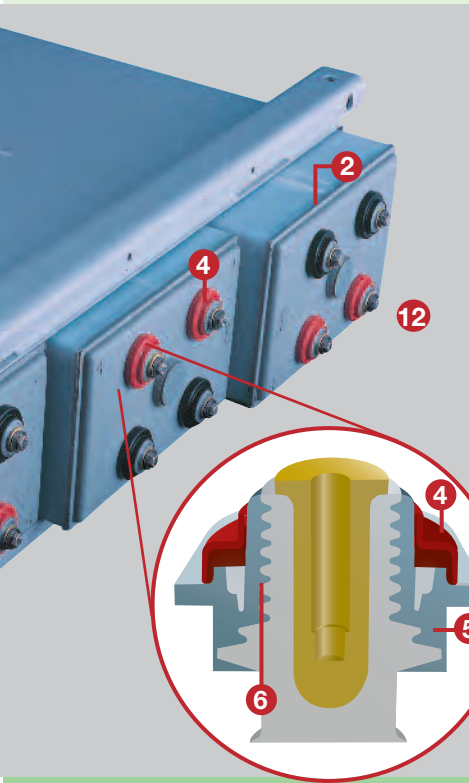
- Telecommunications
- Uninterruptible power systems
- Switchgear and control
- Railroad signal and communication
- Photovoltaics
- Marine
- Alternative energy systems

* Compared to Absolyte IIP



Designed for High Performance

- 1 High capacity in a small footprint.** Frees up valuable floor space for other equipment.
- 2 Jar to cover heat seal.** Jar and cover are heat sealed and bead smoothed for a more reliable seal.
- 3 Safety vent.** 3-10 psi opening pressure. Self-resealing.
- 4 Color-coded terminal polarity.** Provides easy terminal identification.
- 5 Heat sealed post seal.** Non-corrosive polypropylene-to-polypropylene bond is as strong as the original material.
- 6 Interface between lead post and plastic sleeve.** Coated with a viscous agent which ensures a virtually leak-free bond.
- 7 Modular steel tray.** Easy to install.
- 8 Container and Cover - Polypropylene** is standard. Flame retardant, UL94 V-0/28% L.O.I. is optional.
- 9 Patented positive plate grid alloy.** Ideal for both float and cycling applications.
- 10 Space for positive plate growth.** Space is provided so growth can occur away from post and cover seals to increase battery life.
- 11 High separator compression.** Reduces possibility of loss of capacity and degradation of the plate-to-separator contact.
- 12 Post Access optimized** for ease of maintenance and assessment of battery health



Specifications

- System ampere-hour range – 104 to 4800 Ah to 1.75 VPC at 8-hour rate @ 25°C (77°F).
- Electrolyte – 1.310 specific gravity acid (nominal).
- Safety vent – 3-10 psi opening pressure, self-resealing.
- Terminals – Solid copper insert.
- Positive plate – Patented lead calcium tin silver alloy.
- Negative plate – Lead calcium grid alloy.
- 20 years design life in float applications at 25°C (77°F)¹
- 1200 cycles to 80% DOD at 25°C (77°F)¹
- Operating temperature – Temperature excursions between -40°C (-40°F) to +50°C (122°F) allowed (battery performance and life will be affected).
- Self-discharge – 0.5 to 1% per week maximum @ 25°C (77°F).
- Float voltage – 2.23 to 2.27 VPC.
- Container and Cover - Polypropylene is standard. Flame retardant, UL94 V-0/28% L.O.I. is optional.



Horizontal stack assembly



Relay rack modules



Single cell module

1. When operated per I&O manual

Exide Technologies – The Industry Leader.



GNB Industrial Power, a division of Exide Technologies is a global leader in stored electrical energy solutions for all major critical reserve power applications and needs. Network power applications include communication/data networks, UPS systems for computers and control systems, electrical power generation and distribution systems, as well as a wide range of other industrial standby power applications. With a strong manufacturing base in both North America and Europe and a truly global reach (operations in more than 80 countries) in sales and service, GNB Industrial Power is best positioned to satisfy your back up power needs locally as well as all over the world.

Based on over 100 years of technological innovation the Network Power Division leads the industry with the most recognized global brands such as ABSOLYTE®, SONNENSCH EIN®, MARATHON®, SPRINTER®, RELAY GEL® and GNB FLOODED CLASSIC™. They have come to symbolize quality, reliability, performance and excellence in all the markets served.

Exide Technologies takes pride in its commitment to a better environment. Its Total Battery Management program, an integrated approach to manufacturing, distributing and recycling of lead acid batteries, has been developed to ensure a safe and responsible life cycle for all of its products.

Exide Technologies Industrial Energy

USA - Tel: 888.898.4GNB (4462)

Canada - Tel: 800.268.2698

www.exide.com



This document is printed on paper containing
10% post consumer recycled paper